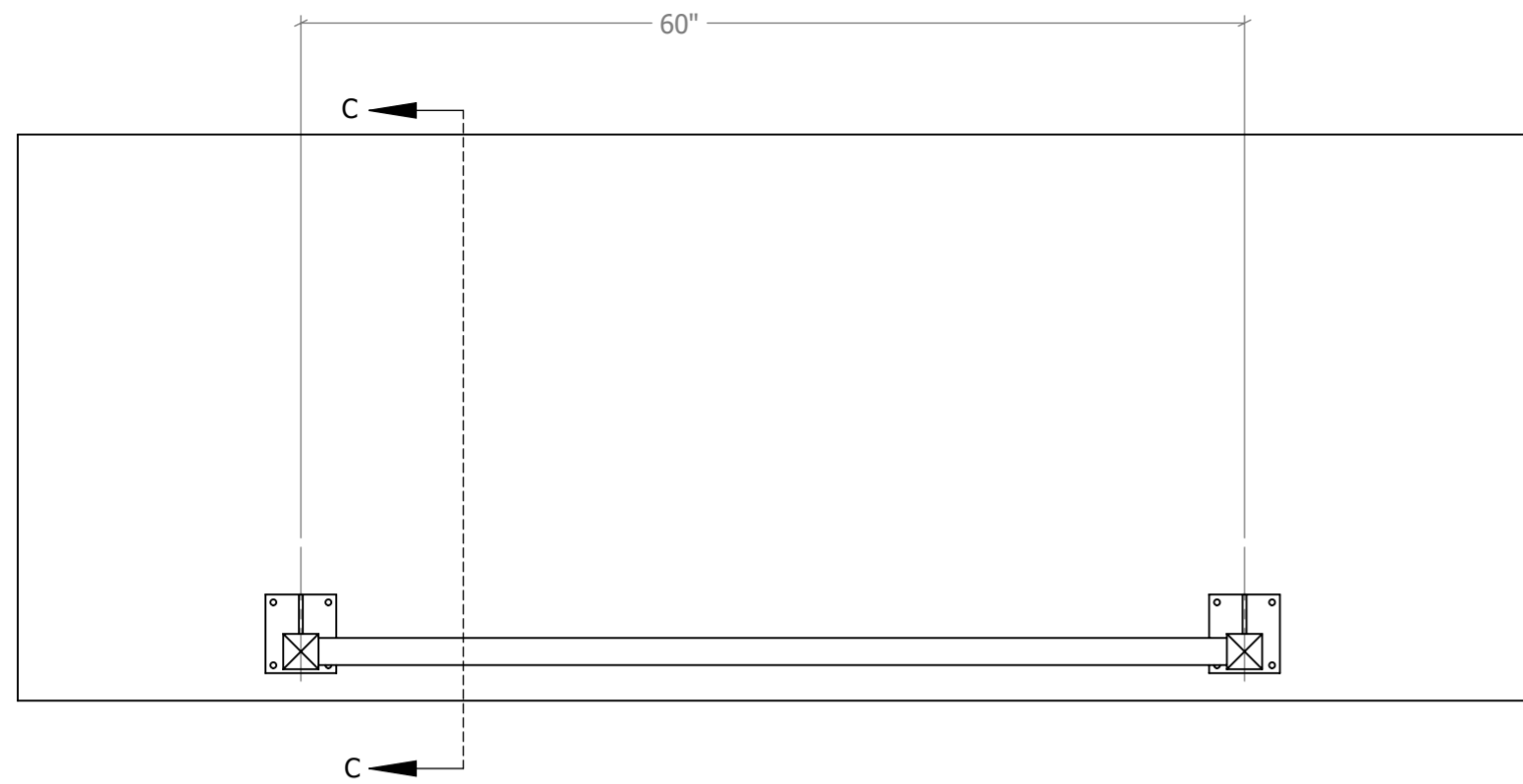


NOTES:
MEETS THE 2012 ONTARIO BUILDING CODE, SECTION 9.8 GUARDS UNDER THE FOLLOWING CONDITIONS:
- IT IS NOT USED FOR STAIRS OR LANDINGS 10M ABOVE THE ADJACENT GROUND LEVEL RE 9.8.8.3(6)
- IT IS NOT USED AS A VEHICLE GUARDRAIL RE 9.8.4(2)
- FOR OCCUPANCIES WITHIN DWELLING UNITS AND EXTERIOR GUARDS SERVING NOT MORE THAN 2 DWELLING UNITS RE 9.8.8.2
STRUCTURAL ADEQUACY OF JOIST FRAMING BY OTHERS
REFER TO HOME-RAIL LTD DRAWING H1-1 FOR PRODUCT DETAILS
GLASS TO COMPLY WITH THE REQUIREMENTS OF ONTARIO SUPPLEMENTARY STANDARD SB-13, GLASS IN GUARDS

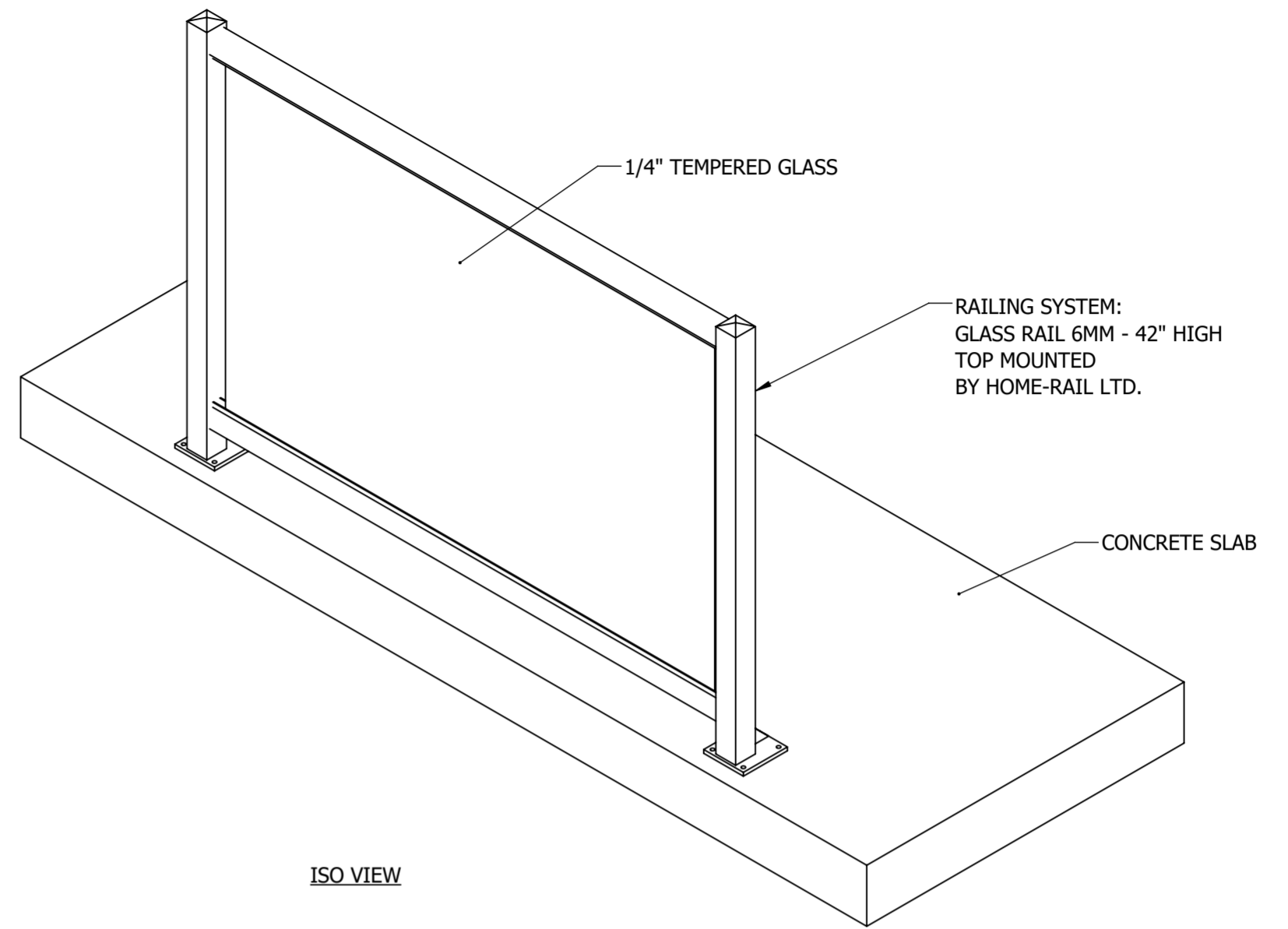


MISC METAL ENGINEERING
O/A 11413716 CANADA INC.
WIL.SAUNDERS@GMAIL.COM
613-204-4642

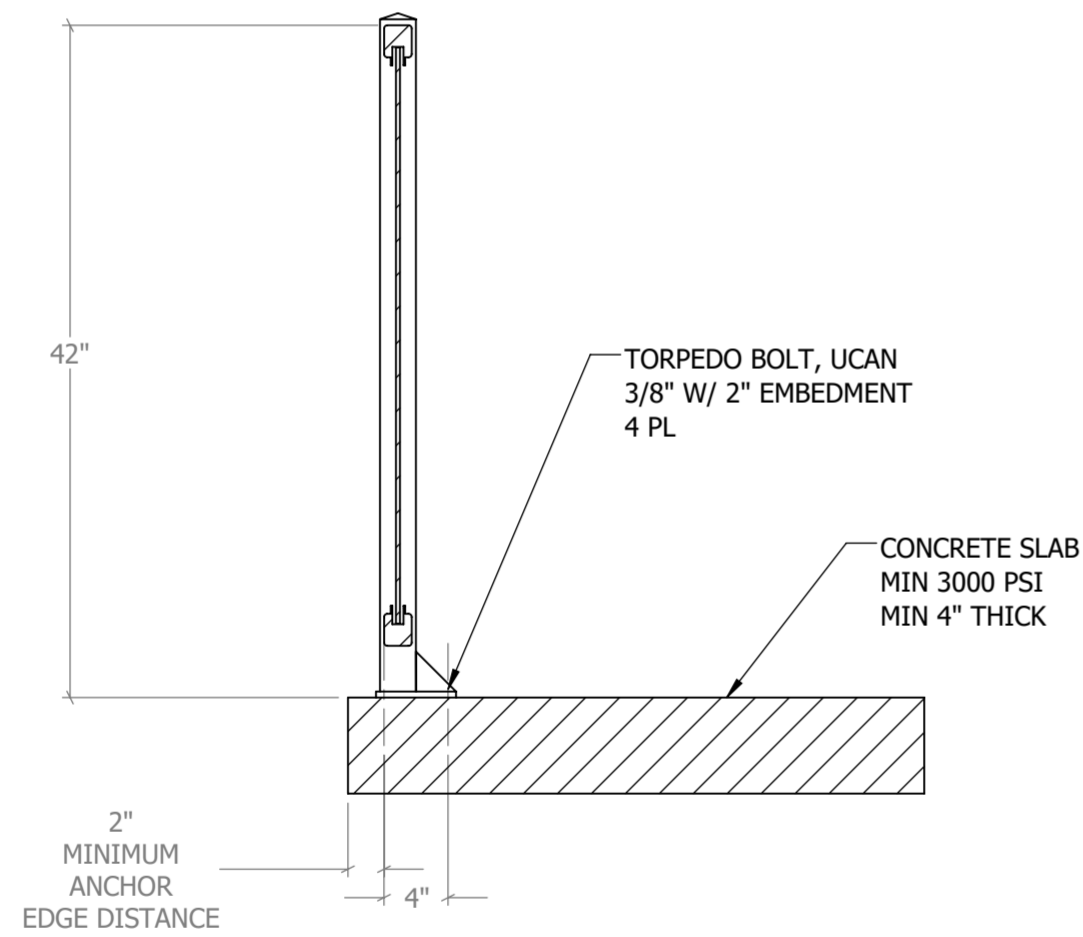
DIMENSIONS ARE IN INCHES UNO:		FINISH:		DEBUR AND BREAK SHARP EDGES		DO NOT SCALE DRAWING	
TOLERANCES: LINEAR: +/- .06" ANGULAR: +/- 1 DEG							
REV	DATE			NAME		TITLE:	
1	2020/02/19			DRAWN WS	2020/02/05	42" GLASS RAIL WOOD DECK INSTL DETAILS	
				MATERIAL:		DWG NO.	A2
				WEIGHT:		SCALE:	SHEET 1 OF 2



PLAN VIEW



ISO VIEW



SECTION C-C

NOTES:
 MEETS THE 2012 ONTARIO BUILDING CODE, SECTION 9.8 GUARDS UNDER THE FOLLOWING CONDITIONS:
 - IT IS NOT USED FOR STAIRS OR LANDINGS 10M ABOVE THE ADJACENT GROUND LEVEL RE 9.8.8.3(6)
 - IT IS NOT USED AS A VEHICLE GUARDRAIL RE 9.8.4(2)
 - FOR OCCUPANCIES WITHIN DWELLING UNITS AND EXTERIOR GUARDS SERVING NOT MORE THAN 2 DWELLING UNITS RE 9.8.8.2
 STRUCTURAL ADEQUACY OF CONCRETE SLAB BY OTHERS
 REFER TO HOME-RAIL LTD DRAWING H1-1 FOR PRODUCT DETAILS
 GLASS TO COMPLY WITH THE REQUIREMENTS OF ONTARIO SUPPLEMENTARY STANDARD SB-13, GLASS IN GUARDS



MISC METAL ENGINEERING
 O/A 11413716 CANADA INC.
 WIL.SAUNDERS@GMAIL.COM
 613-204-4642

DIMENSIONS ARE IN INCHES UNO:		FINISH:		DEBUR AND BREAK SHARP EDGES		DO NOT SCALE DRAWING	
TOLERANCES: LINEAR: +/- .06" ANGULAR: +/- 1 DEG							
REV	DATE			NAME		TITLE:	
1	2020/02/19			DRAWN WS	2020/02/05	42" GLASS RAIL CONCRETE SLAB INSTL DETAILS	
						DWG NO.	A2
						07-07	
				MATERIAL:		SCALE:	SHEET 2 OF 2
				WEIGHT:			