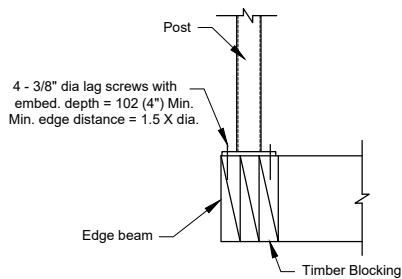
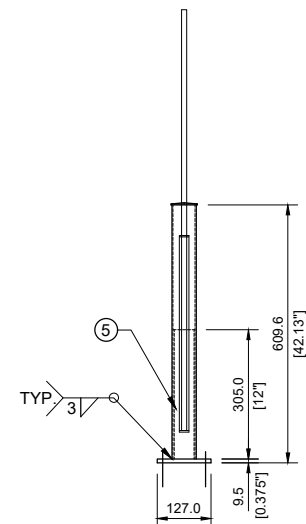
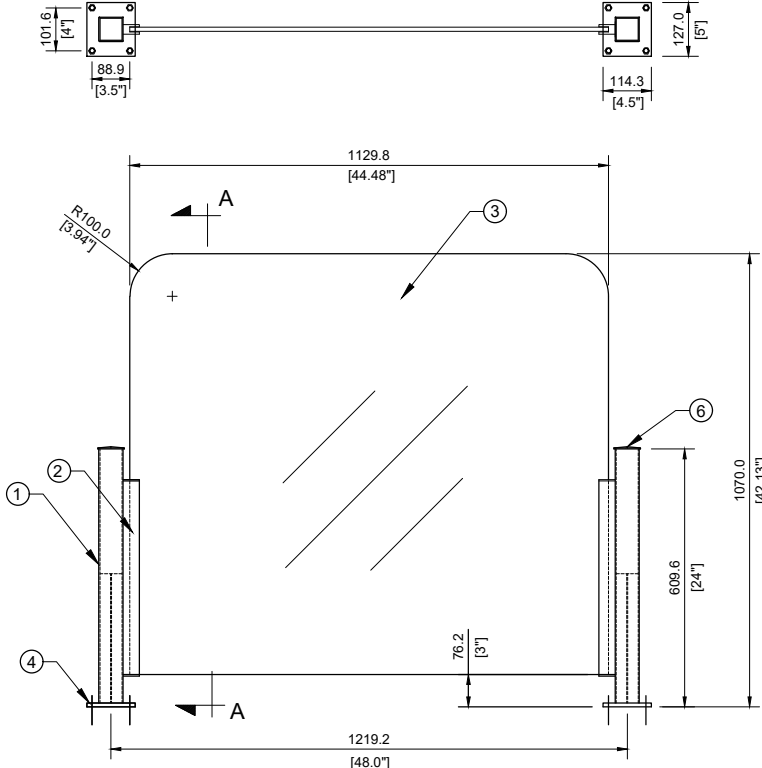




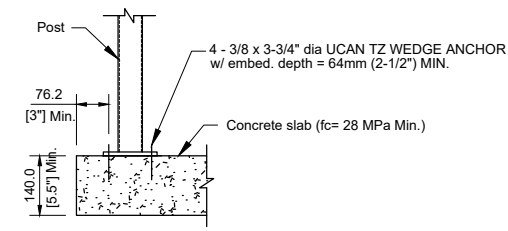
31 OCT 2024



MARK	DESCRIPTION	PROFILE	MATERIAL	LENGTH	WEIGHT (kg)	QTY	TOTAL WT.
1	Post	HSS 57.15X57.15X2.5	6061 - T6	600.1	1.14	2	2.29
2	Bracket	-	6061 - T6	463.5	0.21	2	0.42
3	Glass	12 x 1129.8 x 993.8	Tempered glass conform to CAN/CGSB-12-M90	-	-	1	-
4	Mounting plate	PL 9.5 x 114.3	6061 - T6	127	0.37	2	0.74
5	Post insert	I - shape	6061 - T6	305	0.24	2	0.48
6	Post cap	-	6063 - T5	-	0.04	2	0.08
							4.01



TYPICAL TOP MOUNTED DETAIL ON TIMBER FLOOR



TYPICAL TOP MOUNTED DETAIL ON CONCRETE FLOOR



31 OCT 2024



31 OCT 2024

No	DATE	REVISIONS	DRAWN	CHECK
1	31 OCT. 2024	ISSUED FOR FABRICATION	EY	EG
0	06 MAR. 2023	ISSUED FOR FABRICATION	EG	EG

Drawing prepared by:

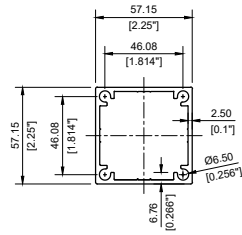
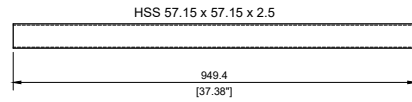
554 Silverado, SW, Calgary, AB
 Phone: (403) 617-4801
 ehab.girgis@gplusengineering.com
 www.gplusengineering.com

Client :
Home-Rail Ltd.

Drawing Title :
TOPLESS GLASS - 42" HIGH TOP MOUNTED

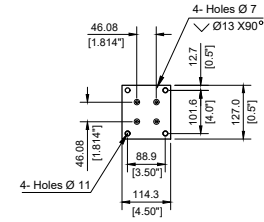
Scale :	NTS	Drawing No.	H6-1	REV.	1
Project No. :	2304				

① - QTY=2

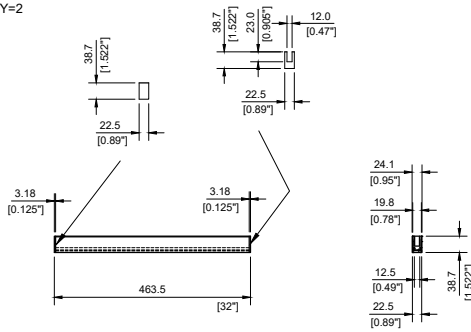


TYP. POST CROSS SECTION

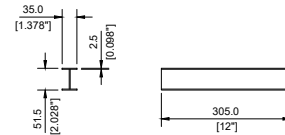
④ - QTY=2
PL. 9.5



② - QTY=2

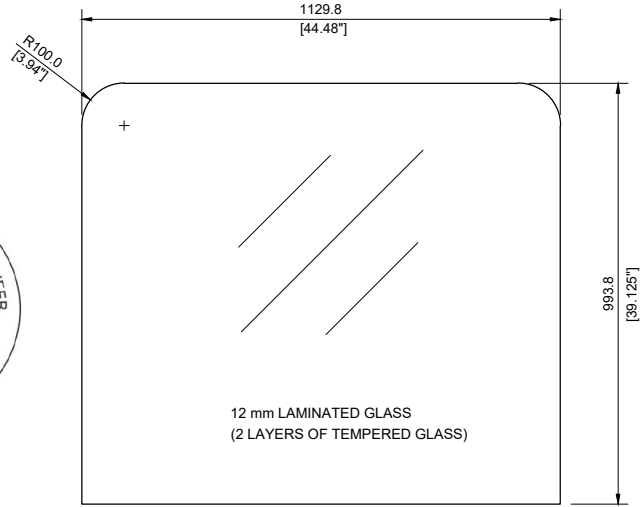


⑤ - QTY=2
I-shape insert

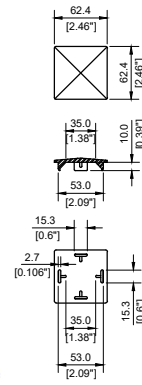


31 OCT 2024

③ - QTY=1
Glass 12mm thick.



⑥ - QTY=2



31 OCT 2024



No	DATE	REVISIONS	DRAWN	CHECK
1	31 OCT. 2024	ISSUED FOR FABRICATION	EY	EG
0	06 MAR. 2023	ISSUED FOR FABRICATION	EG	EG

Drawing prepared by:

554 Silverado, SW, Calgary, AB
Phone: (403) 617-4801
ehab.girgis@gplusengineering.com
www.gplusengineering.com

Client :
Home-Rail Ltd.

Drawing Title :
TOPLESS GLASS - 42" HIGH TOP MOUNTED

Scale :	NTS	Drawing No.	H6-2	REV.	1
Project No. :	2304				